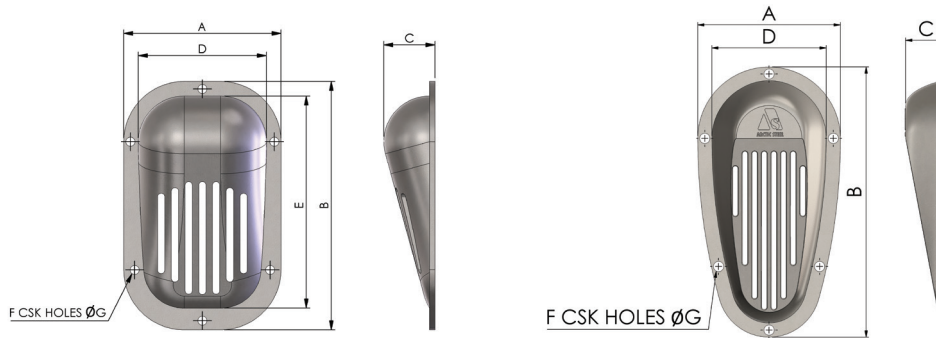


Strainers

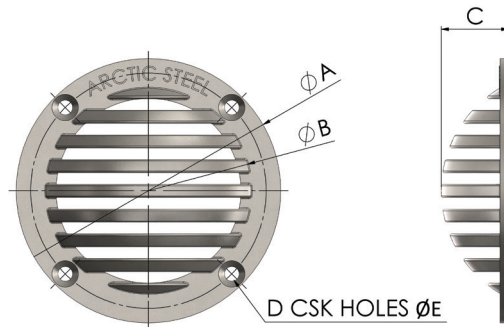
Technical Information



Inlet Scoop Strainers

Size (mm)	Part Number	Style	Dimensions in mm							Fits Thru Hulls	Weight (kg)
			A	B	C	D	E	F	G		
140 X 100	ISS140-100	A	100	140	28	70	115	6	5	1/2", 3/4", 1"	0.40
210 X 115	ISS210-115	B	115	210	32	82	180	6	5	1-1/4", 1-1/2"	0.65
315 X 160	ISS315-160	B	160	315	50	127	280	8	5	2", 2-1/2", 3"	1.8
410 X 206	ISS410-206	B	206	410	60	170	370	10	5	4"	3.9
510 X 280	ISS510-280	B	275	507	70	230	470	12	6	6"	4.7

Product Code: AS22



Inlet Rose Strainers

Size (mm)	Part Number	Dimensions in mm					Fits Thru Hulls	Weight (kg)
		A	B	C	D	E		
90	IRS-90	90	66	23	4	5	1/2", 3/4", 1"	0.10
150	IRS-150	150	118	35	6	5	1-1/4", 1-1/2", 2", 2-1/2", 3"	0.65

Product Code: AS22